



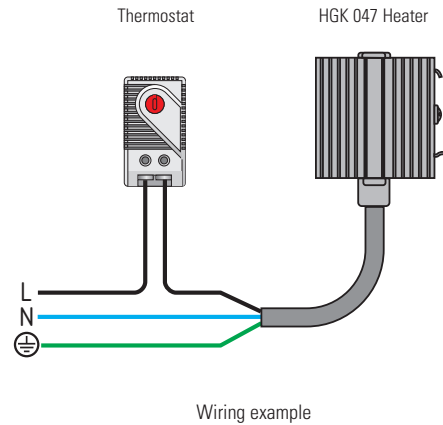
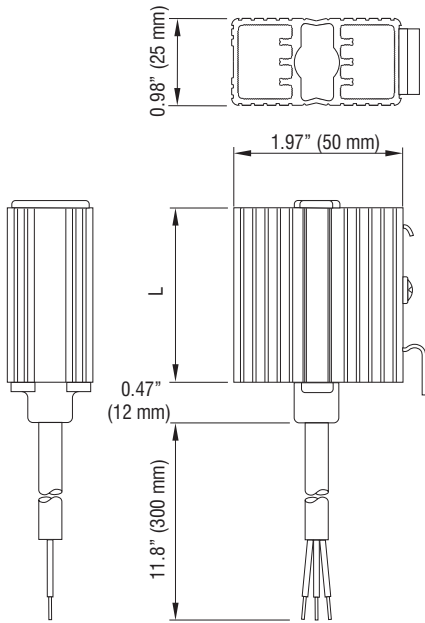
- Compact size**
- Wide voltage range**
- Heating power adjusts to ambient temperature**
- DIN rail mountable**

The HGK 047 heaters are used in enclosures to maintain minimum operating temperatures and to help prevent failure of electronic components caused by condensation and corrosion.



Technical Data

Operating voltage	see table below
Heating element	PTC resistor - temperature limiting
Heater body	extruded aluminum profile, anodized
Connection	3 x AWG 20 (0.5mm ²), 12" (300mm) length
Mounting	clip for 35mm DIN rail, EN 60 715
Mounting position	vertical
Operating / Storage temperature	-49 to +158°F (-45 to +70°C)
Protection class	I (grounded)
Protection type	IP54



Part No.	Heating capacity ¹⁾	Operating voltage ²⁾	Max. current (inrush)	Length (L)	Weight (approx.)	Approvals
04700.0-00	10W	AC/DC 140-240V	1.0A	1.97" (50mm)	3.5 oz. (100g)	VDE
04701.0-00	20W	AC/DC 140-240V	2.5A	2.36" (60mm)	7.1 oz. (200g)	VDE
04702.0-00	30W	AC/DC 140-240V	3.0A	2.76" (70mm)	7.1 oz. (200g)	VDE
04700.9-00	10W	AC/DC 110-120V	1.0A	1.97" (50mm)	3.5 oz. (100g)	UL File No. E150057
04701.9-00	20W	AC/DC 110-120V	1.5A	2.76" (70mm)	7.1 oz. (200g)	UL File No. E150057
04702.9-00	30W	AC/DC 110-120V	1.5A	3.94" (100mm)	7.1 oz. (200g)	UL File No. E150057

¹⁾ at 68°F (20°C) ambient temperature

²⁾ operating with voltages below 140V AC/DC reduces heating performance by approx. 10% (min. 110V, max 265V).

Specifications are subject to change without notice. Suitability of this product for its intended use and any associated risks must be determined by the end customer/ buyer in its final application.